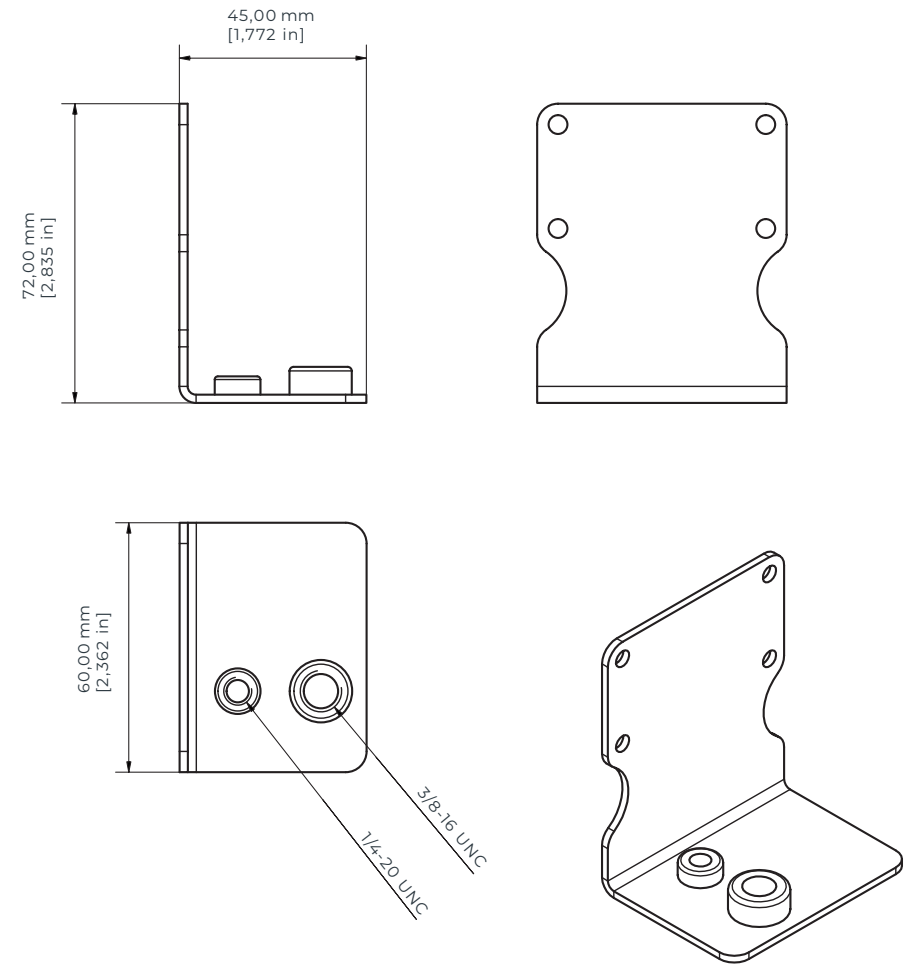


Camera Mount Adapter

TECHNICAL DATA

Mounting interfaces	1x 1/4"-20 UNC 1x 3/8"-16 UNC Qb2 Interface (QB2-AWP-ST1xxx only)
Materials	Steel, powder-coated Thread inserts: Stainless steel
Scope of delivery	Camera mount adapter 4x matching outer hex. M4 screws for sensor mounting
Color	Black
Compatibility	Qb2 Standard (QB2-AWP-ST1xxx)

TECHNICAL DRAWING



dimensions in mm
values in brackets are calculated and may contain round-off errors