

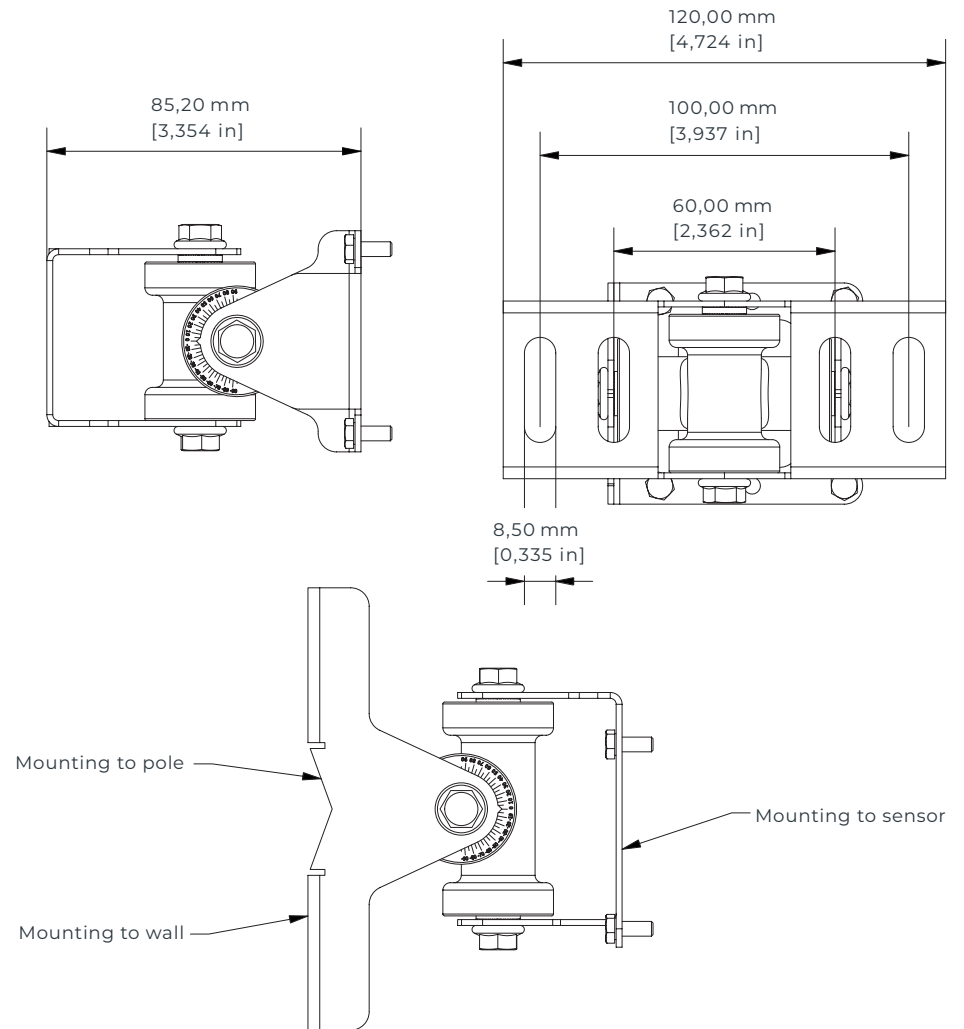
Pan-Tilt Mounting Bracket

TECHNICAL DATA

Mounting locations	Wall or pole (30 – 120 mm diameter)
Adjustment possibilities*	±90° tilt ±55° pan Sensor orientation 90° rotatable
Additional features	Angle scale for reproducible sensor orientation
Materials	Middle part: Aluminium, zinc coated Rest: Steel, powder-coated
Scope of delivery	Adjustable mounting bracket 4x M4 outer hex. screws (stainless steel) for sensor mounting Mounting instructions
Color	Grey
Compatibility	Qb2 (QB2-AWP-ST1xxx & QB2-AWP-ETRxxx)

* Actually usable adjustment range might be restricted depending on sensor configuration and simultaneous usage of other accessories such as cables, antennas, etc.

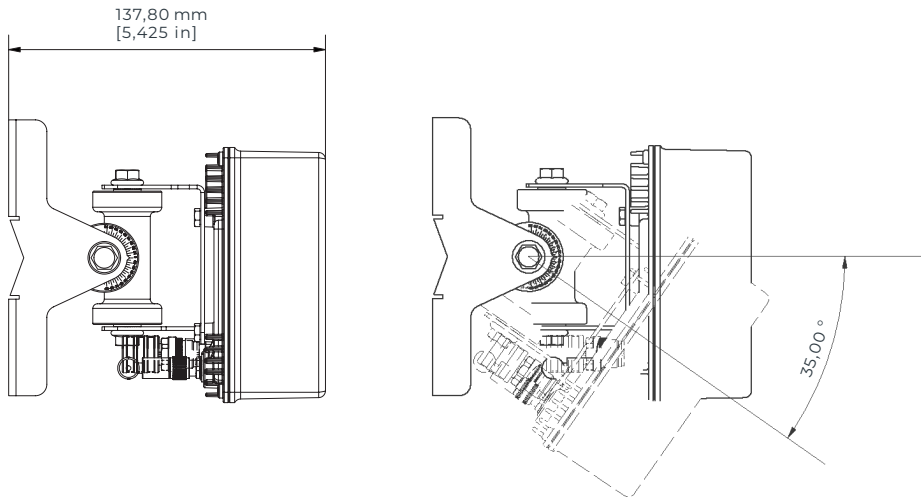
TECHNICAL DRAWING



dimensions in mm
values in brackets are calculated and may contain round-off errors

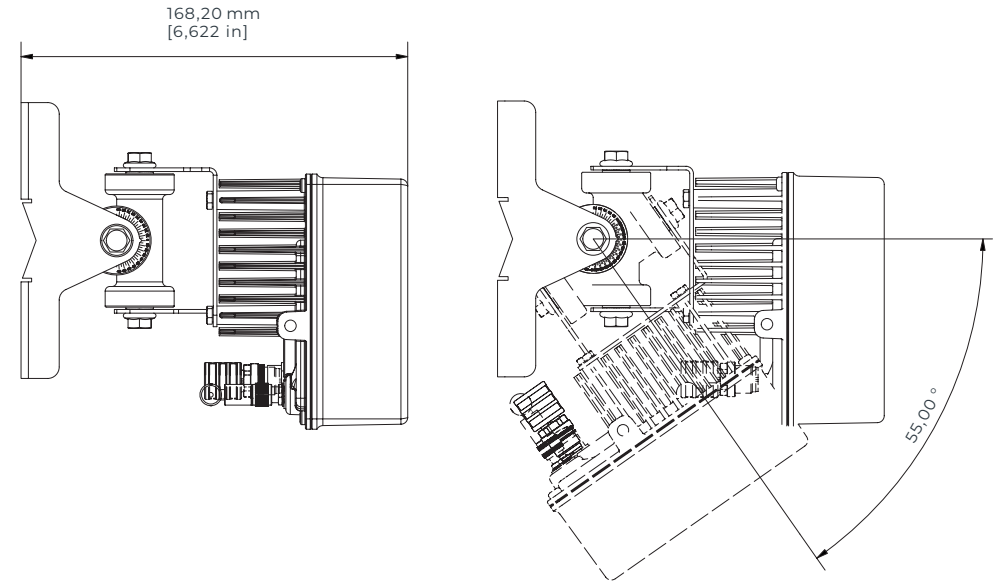
TECHNICAL DRAWING

WITH QB2 STANDARD VARIANT



Drawing depicts most restrictive configuration.
Max. pan angle in opposite direction: 65°.

WITH QB2 ETR VARIANT



Drawing depicts most restrictive configuration.
Max. pan angle in opposite direction: 75°.

dimensions in mm
values in brackets are calculated and may contain round-off errors