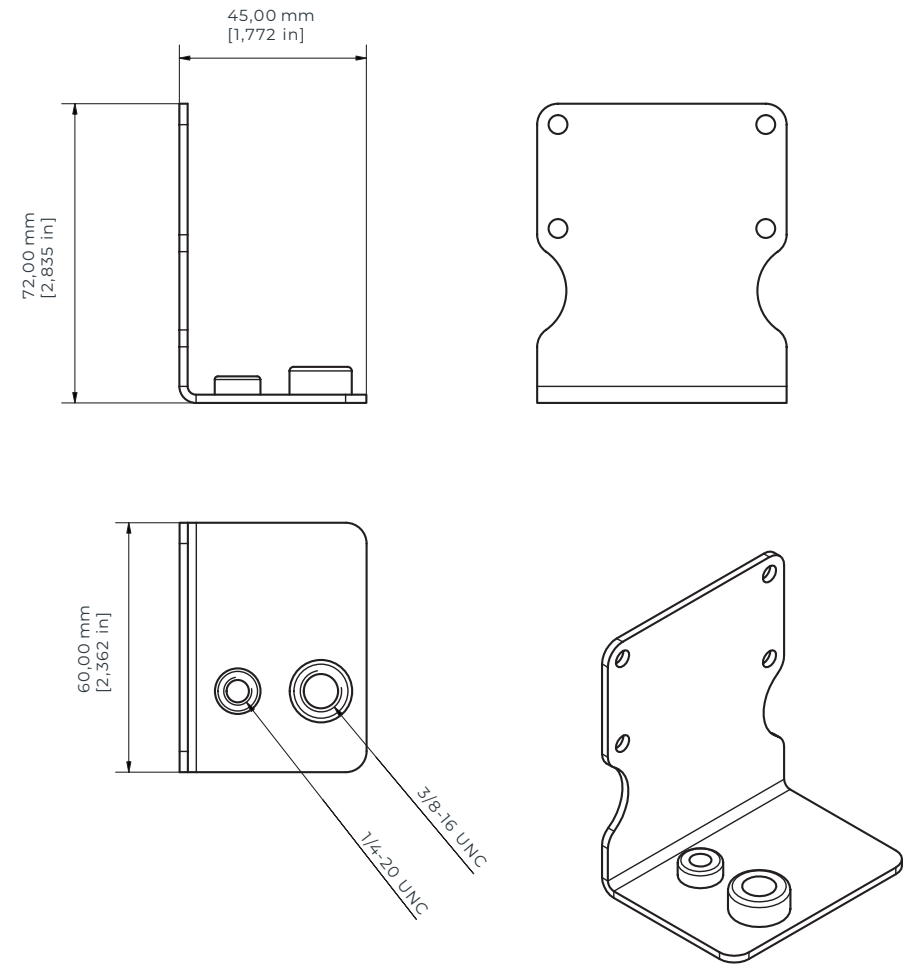


# Camera Mount Adapter

## TECHNICAL DATA

<b>Mounting interfaces</b>	1x 1/4"-20 UNC 1x 3/8"-16 UNC Qb2 Interface (QB2-AWP-ST1xxx only)
<b>Materials</b>	Steel, powder-coated Thread inserts: Stainless steel
<b>Scope of delivery</b>	Camera mount adapter 4x matching outer hex. M4 screws for sensor mounting
<b>Color</b>	Black
<b>Compatibility</b>	Qb2 Standard (QB2-AWP-ST1xxx)

## TECHNICAL DRAWING



dimensions in mm  
values in brackets are calculated and may contain round-off errors