
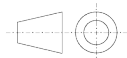
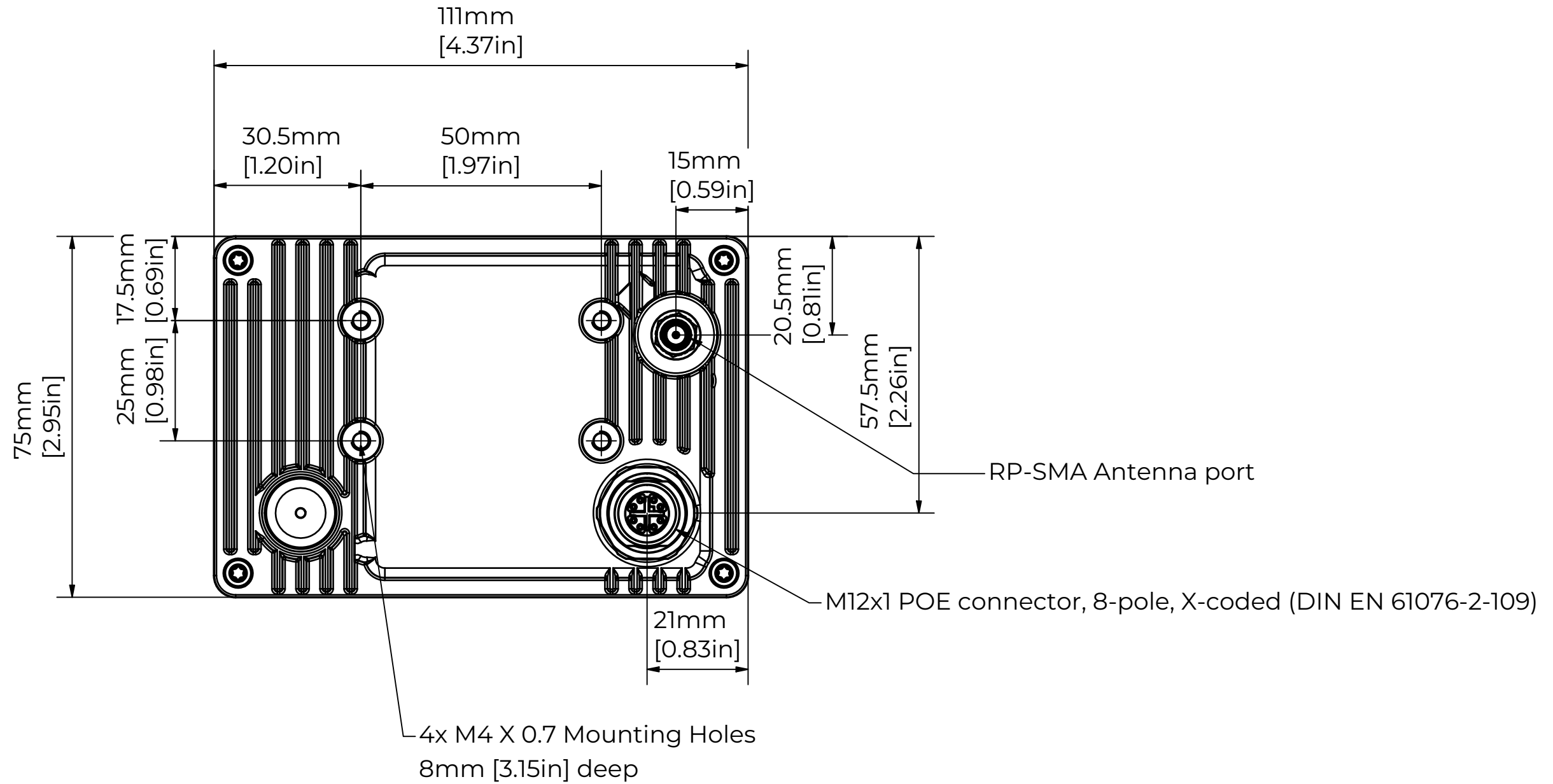

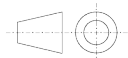


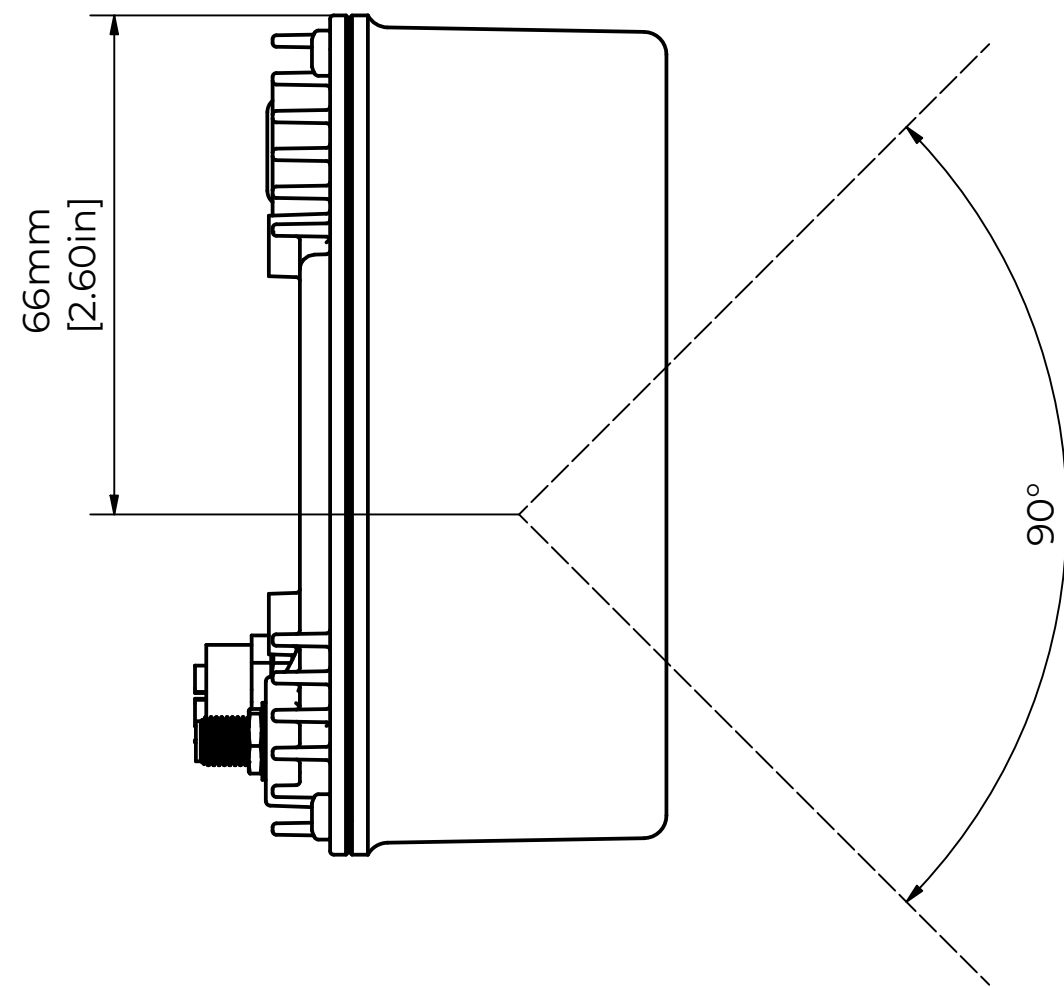
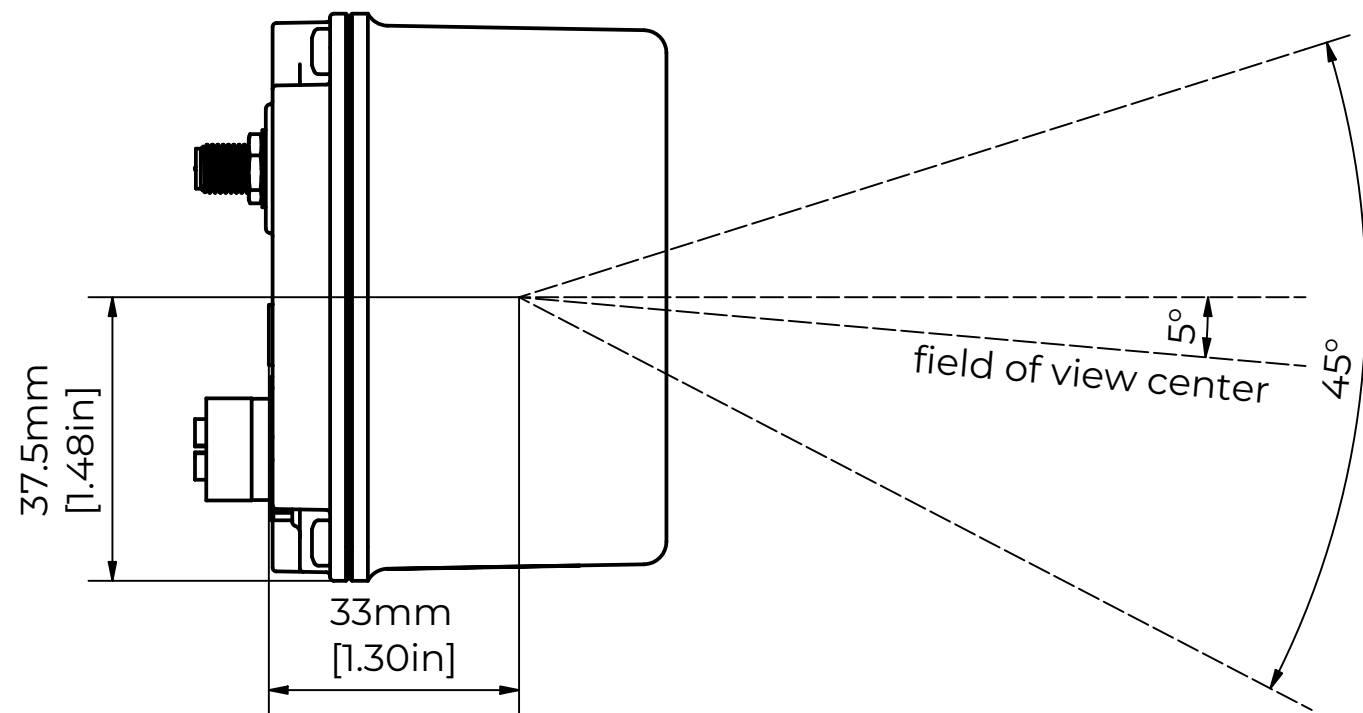
values in brackets are calculated and may contain round-off errors

Status: -	Material, approximate mass: -	Created by, date: 2022-11-08		
Project: -	Document Type: Customer Drawing	Approved by, date: -		
 LiDAR / scan your world	Title: Qb2	Part Number: 10000013		Rev: C
			Scale: 1:1	Size: A3


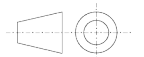


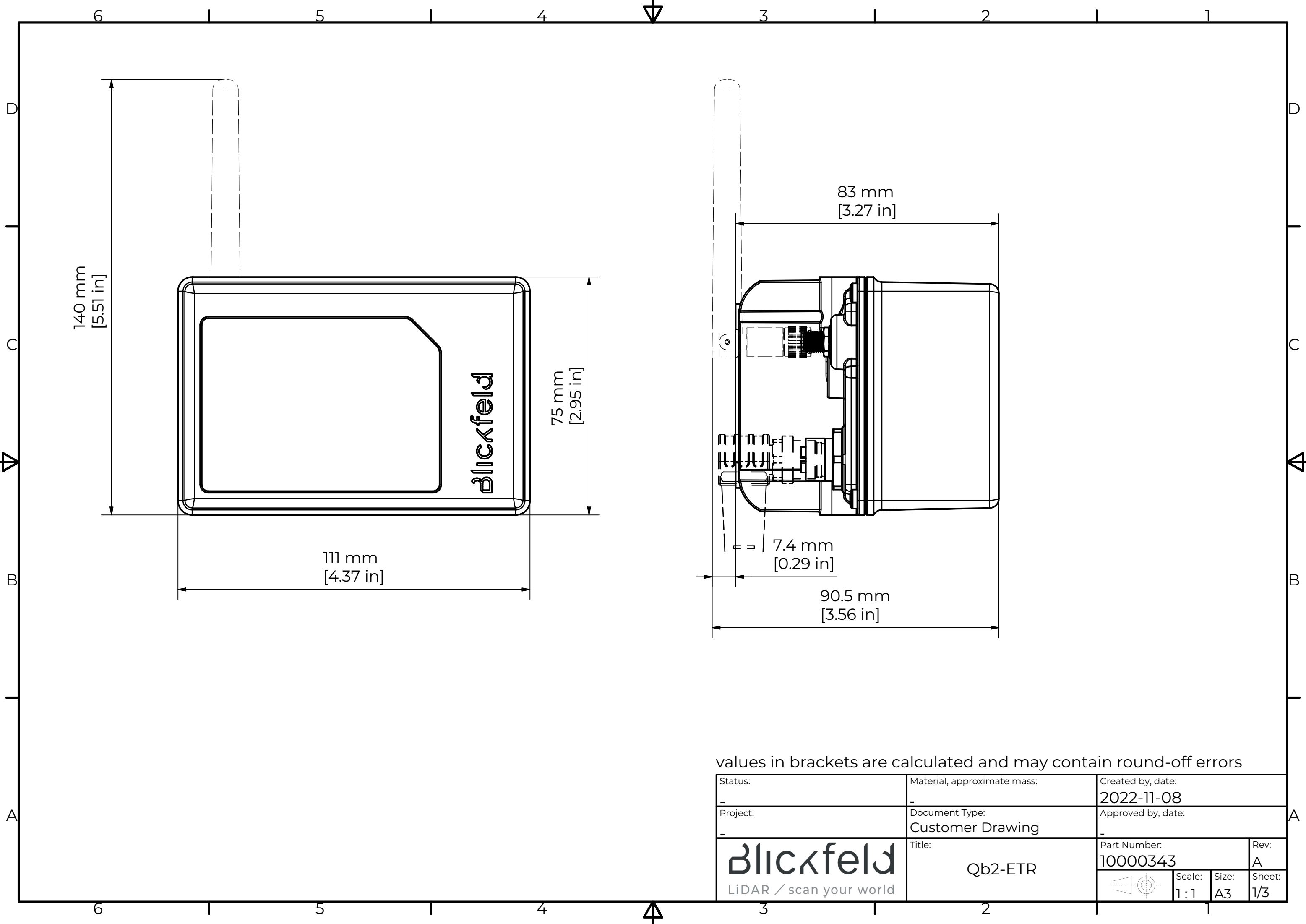
values in brackets are calculated and may contain round-off errors

Status: -	Material, approximate mass: -	Created by, date: 2022-11-08		
Project: -	Document Type: Customer Drawing	Approved by, date: -		
 LiDAR / scan your world	Title: Qb2	Part Number: 10000013		Rev: C
			Scale: 1:1	Size: A3



values in brackets are calculated and may contain round-off errors

Status: -	Material, approximate mass: -	Created by, date: 2022-11-08		
Project: -	Document Type: Customer Drawing	Approved by, date: -		
 LiDAR / scan your world	Title: Qb2	Part Number: 10000013		Rev: C
			Scale: 1:1	Size: A3



140 mm
[5.51 in]

111 mm
[4.37 in]


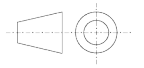
75 mm
[2.95 in]

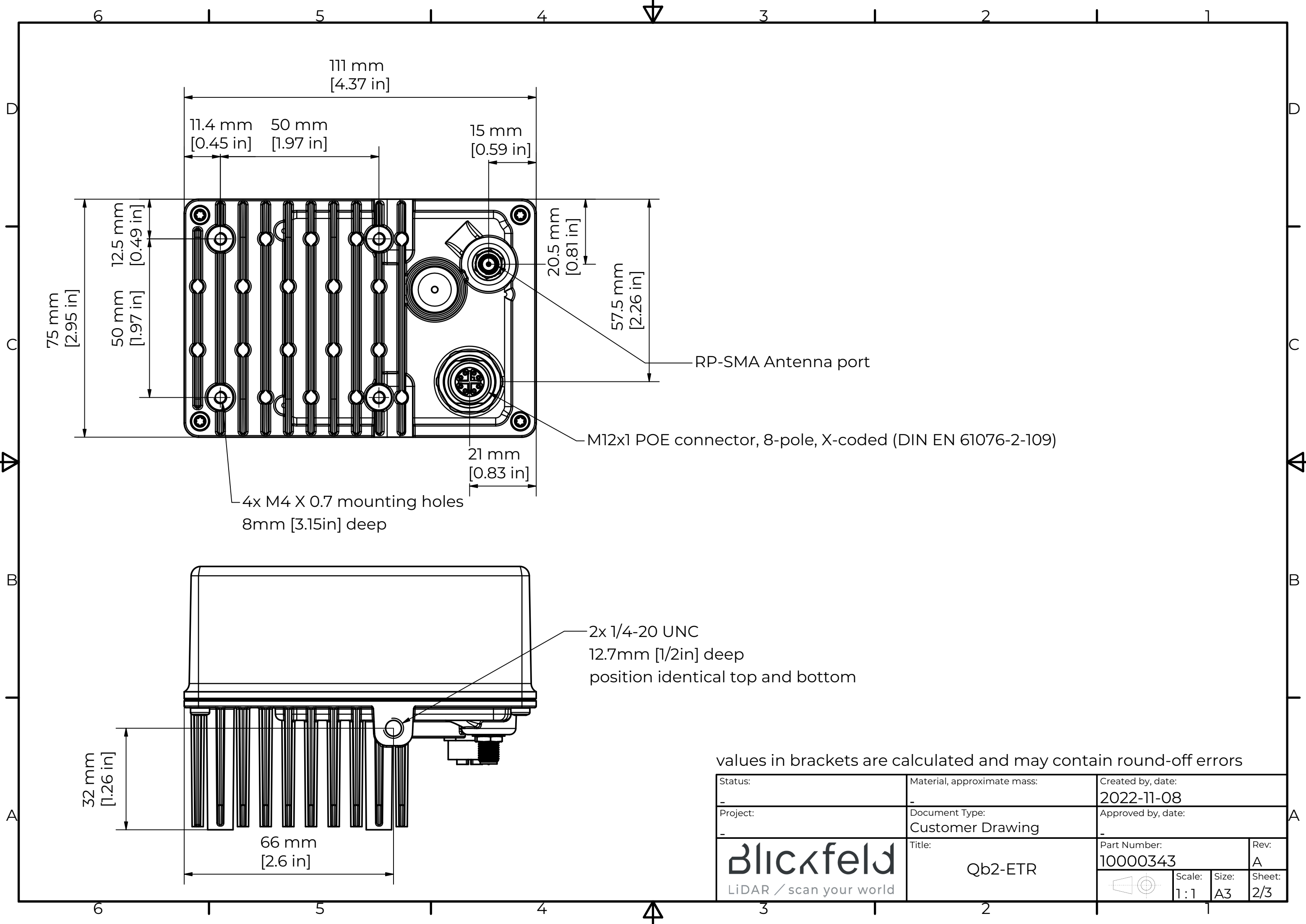
83 mm
[3.27 in]

7.4 mm
[0.29 in]


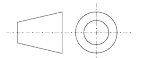
90.5 mm
[3.56 in]

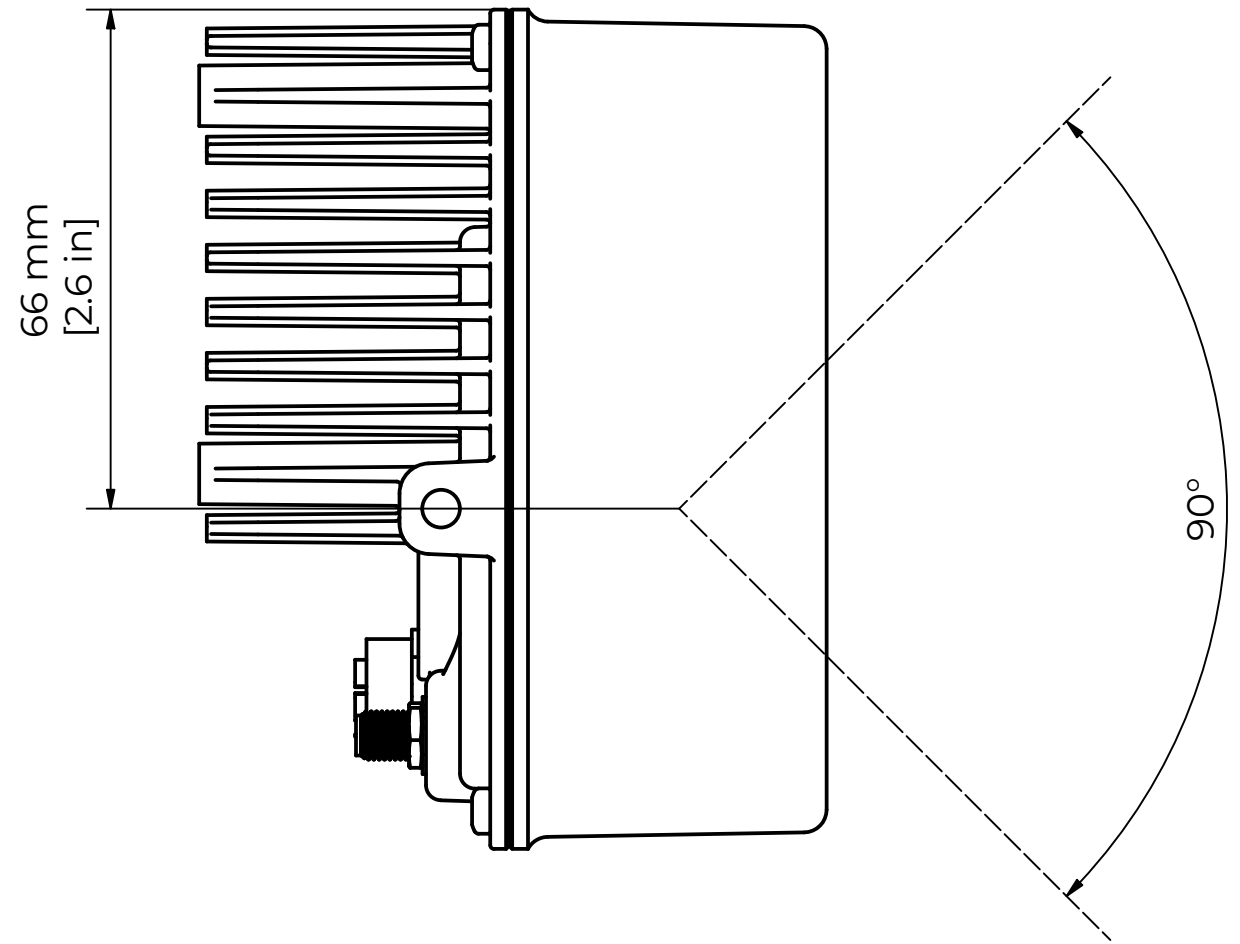
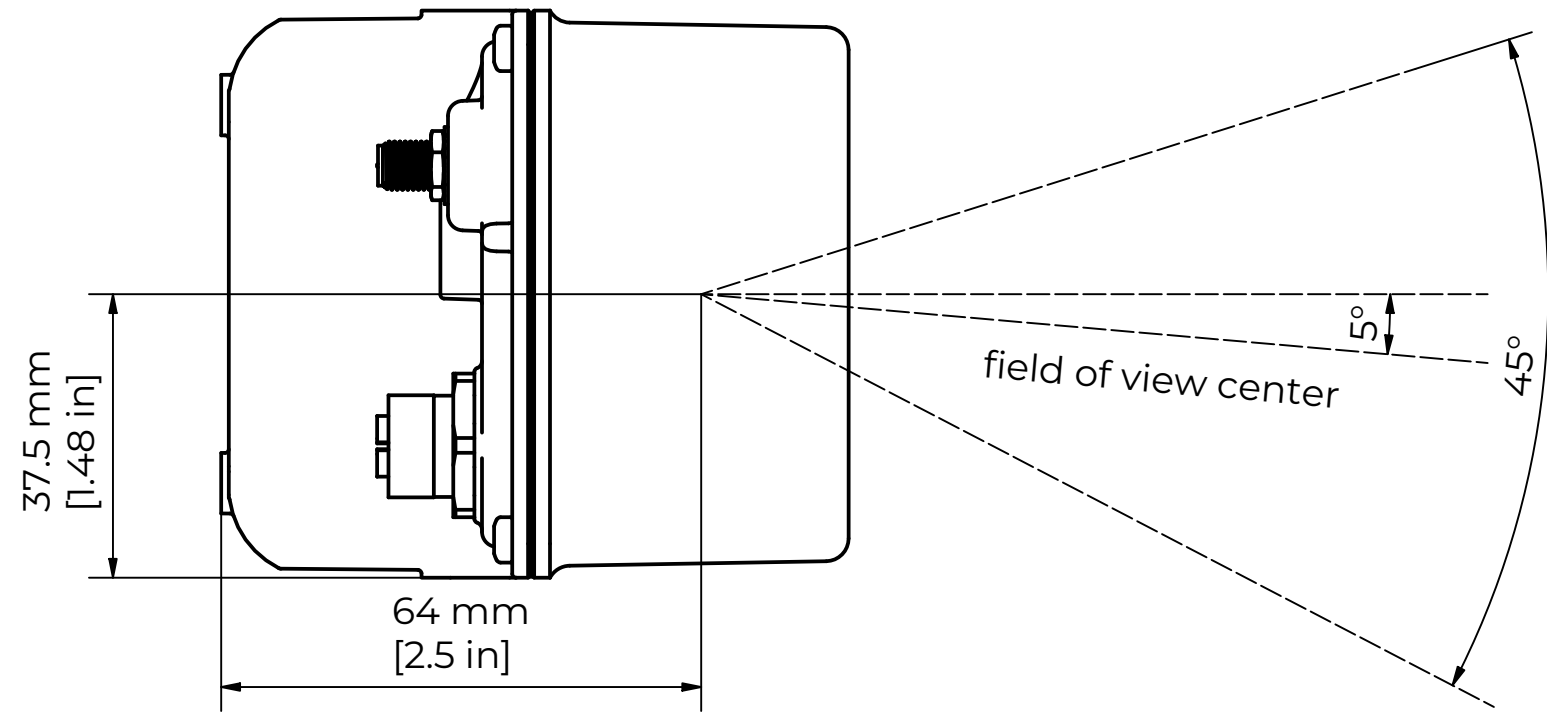
values in brackets are calculated and may contain round-off errors

Status: -	Material, approximate mass: -	Created by, date: 2022-11-08		
Project: -	Document Type: Customer Drawing	Approved by, date: -		
 LiDAR / scan your world	Title: Qb2-ETR	Part Number: 10000343		Rev: A
			Scale: 1:1	Size: A3


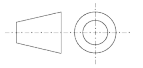


values in brackets are calculated and may contain round-off errors

Status: -	Material, approximate mass: -	Created by, date: 2022-11-08		
Project: -	Document Type: Customer Drawing	Approved by, date: -		
 LiDAR / scan your world	Title: Qb2-ETR	Part Number: 10000343		Rev: A
			Scale: 1:1	Size: A3



values in brackets are calculated and may contain round-off errors

Status: -	Material, approximate mass: -	Created by, date: 2022-11-08		
Project: -	Document Type: Customer Drawing	Approved by, date: -		
 LiDAR / scan your world	Title: Qb2-ETR	Part Number: 10000343		Rev: A
			Scale: 1:1	Size: A3