


All dimensions in mm

2020-12-11	 <small>LIDAR / scan your world</small>	
Cube Range 1 - Dimensions		
DWG-CR-DIM-1.0.0-A	Cube Range 1	Sht 1

8 | 7 | 6 | 5 | 4 | 3 | 2 | 1

D

C

B

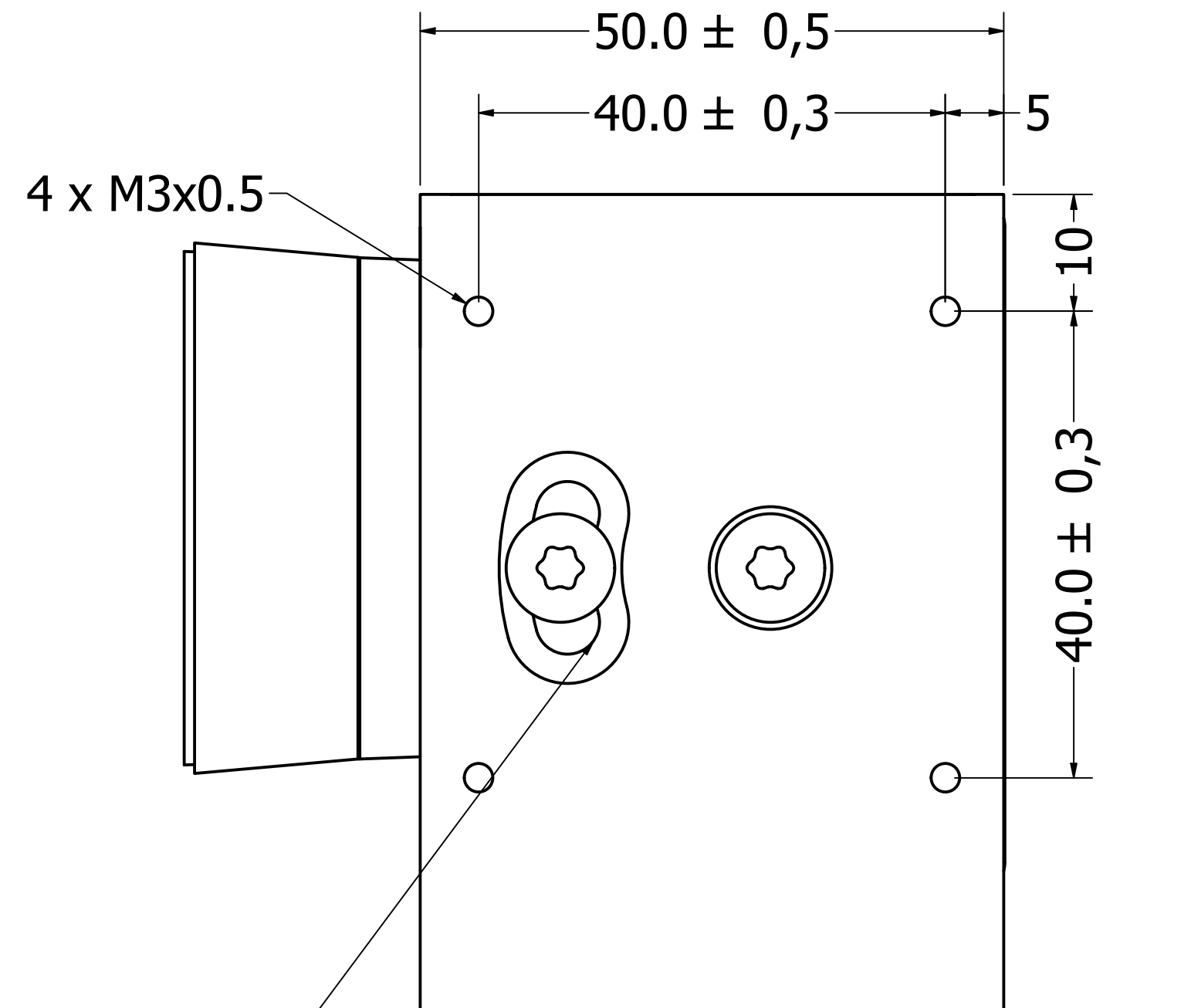
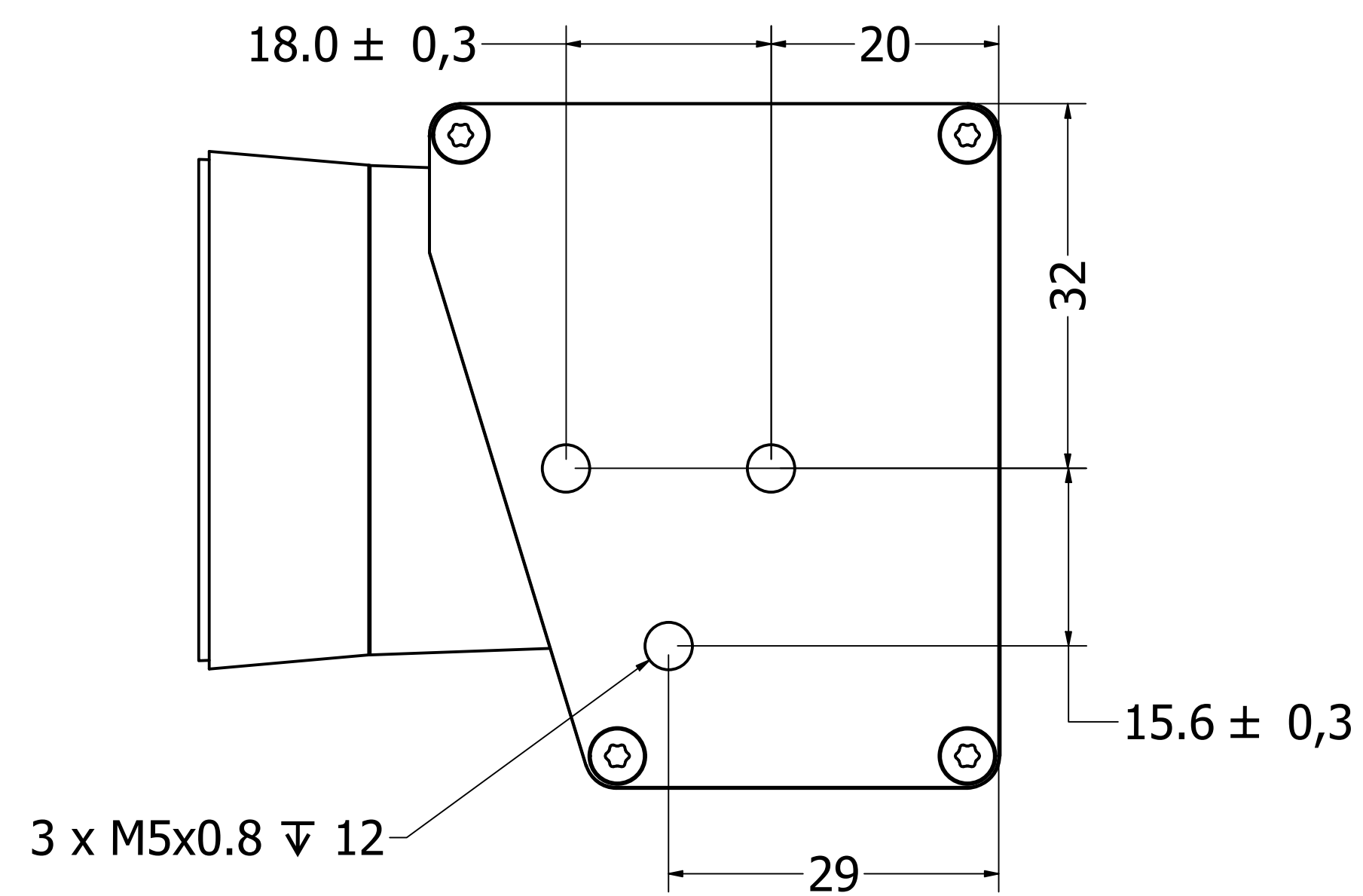
A

D

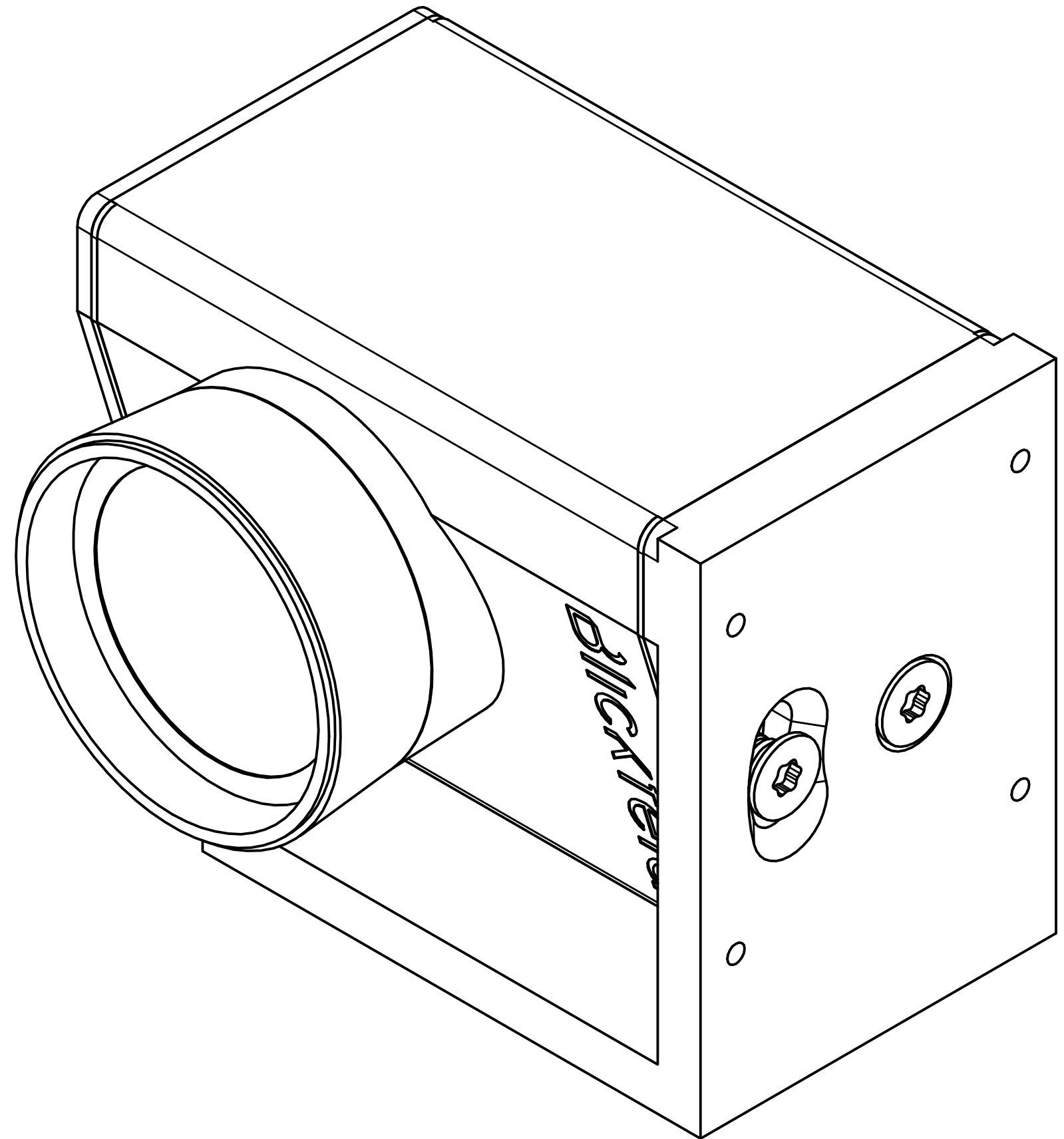
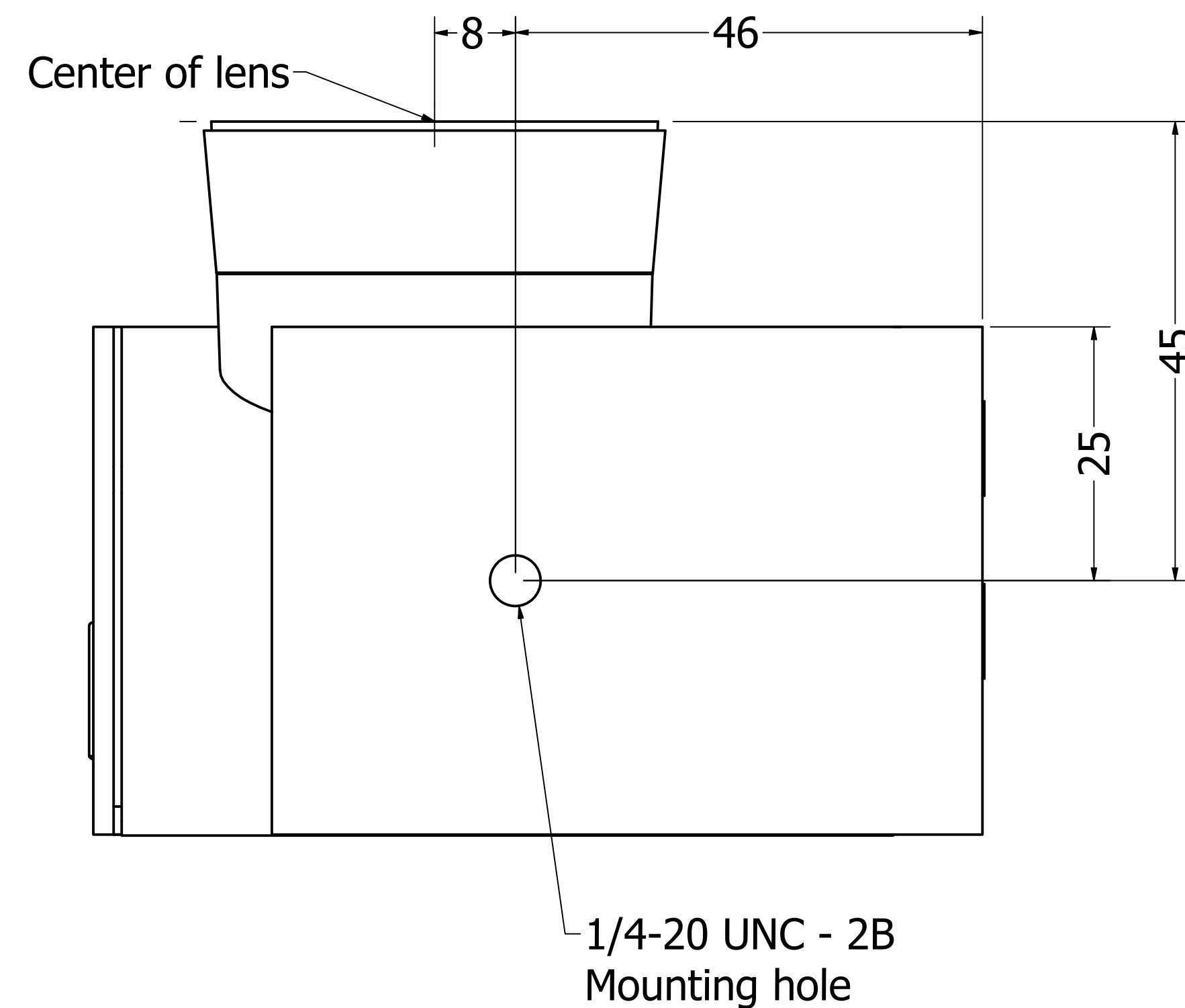
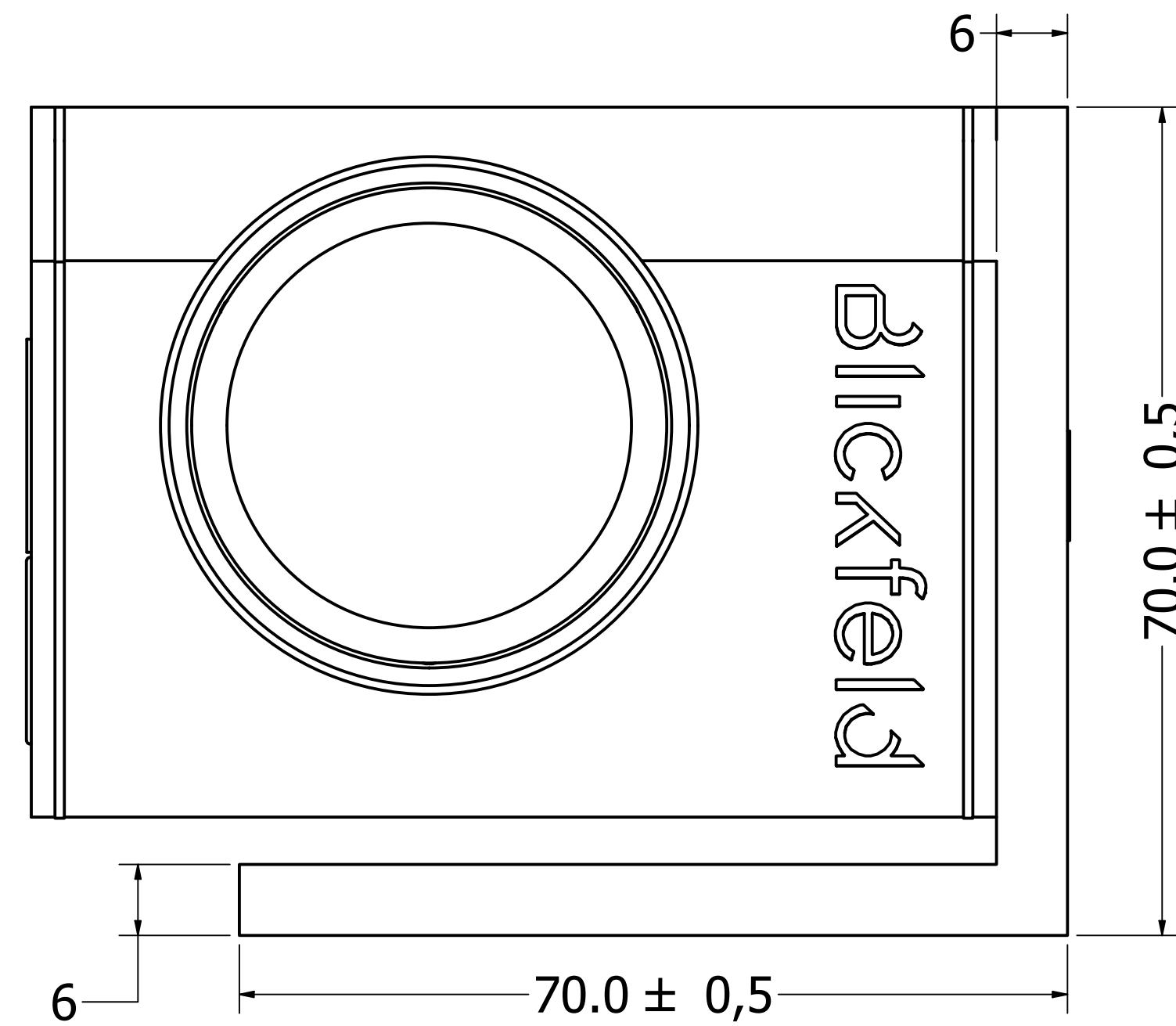
C

B

A



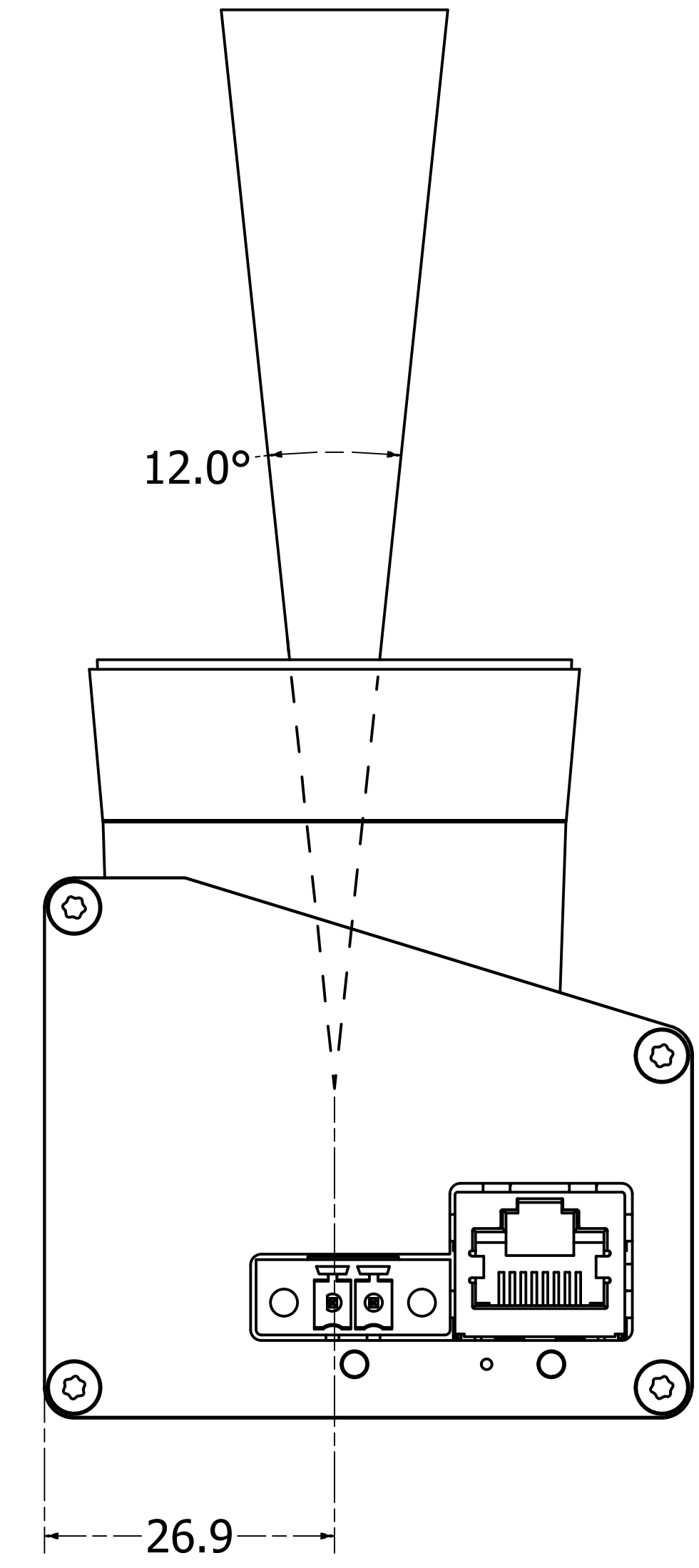
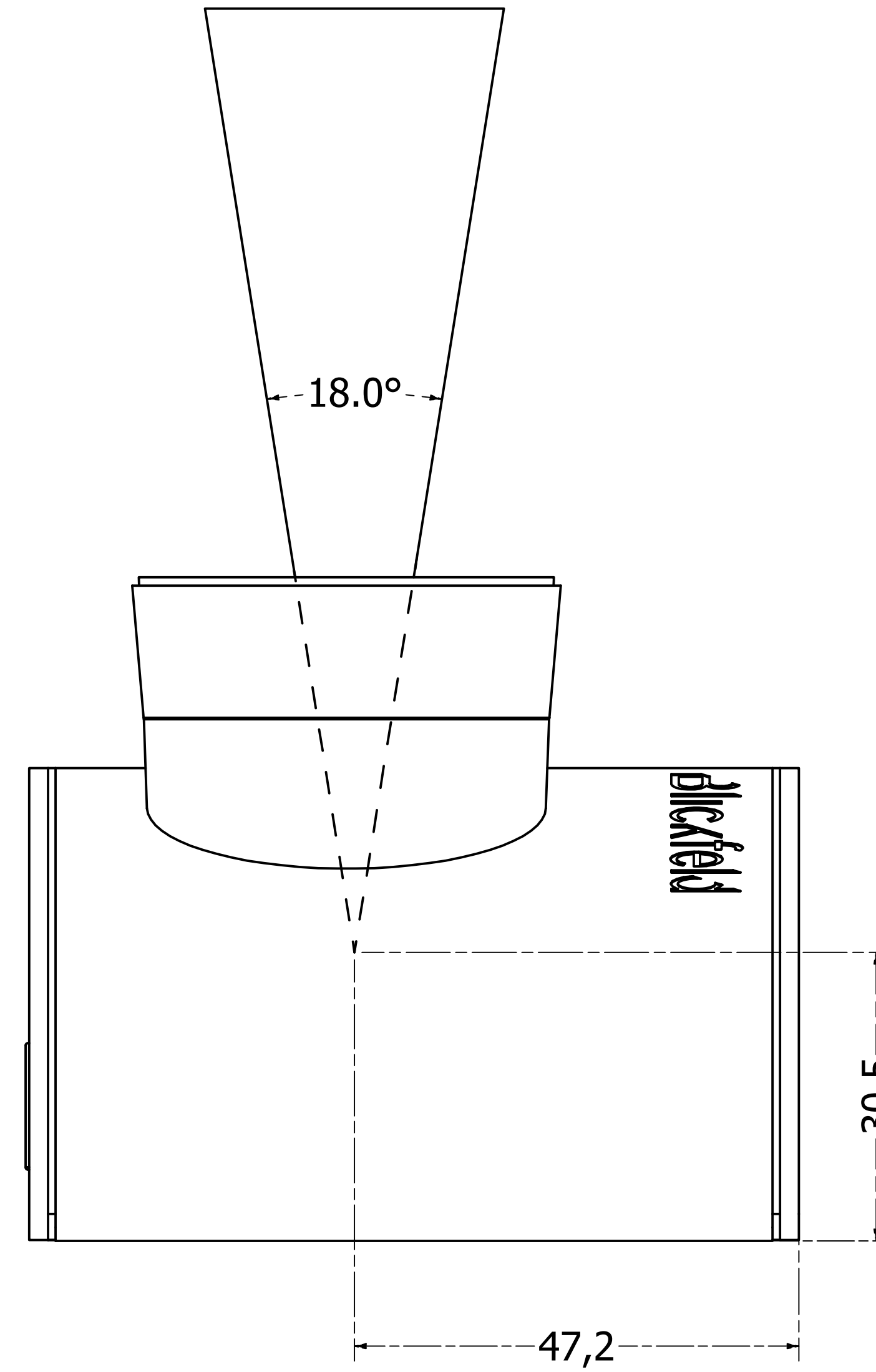
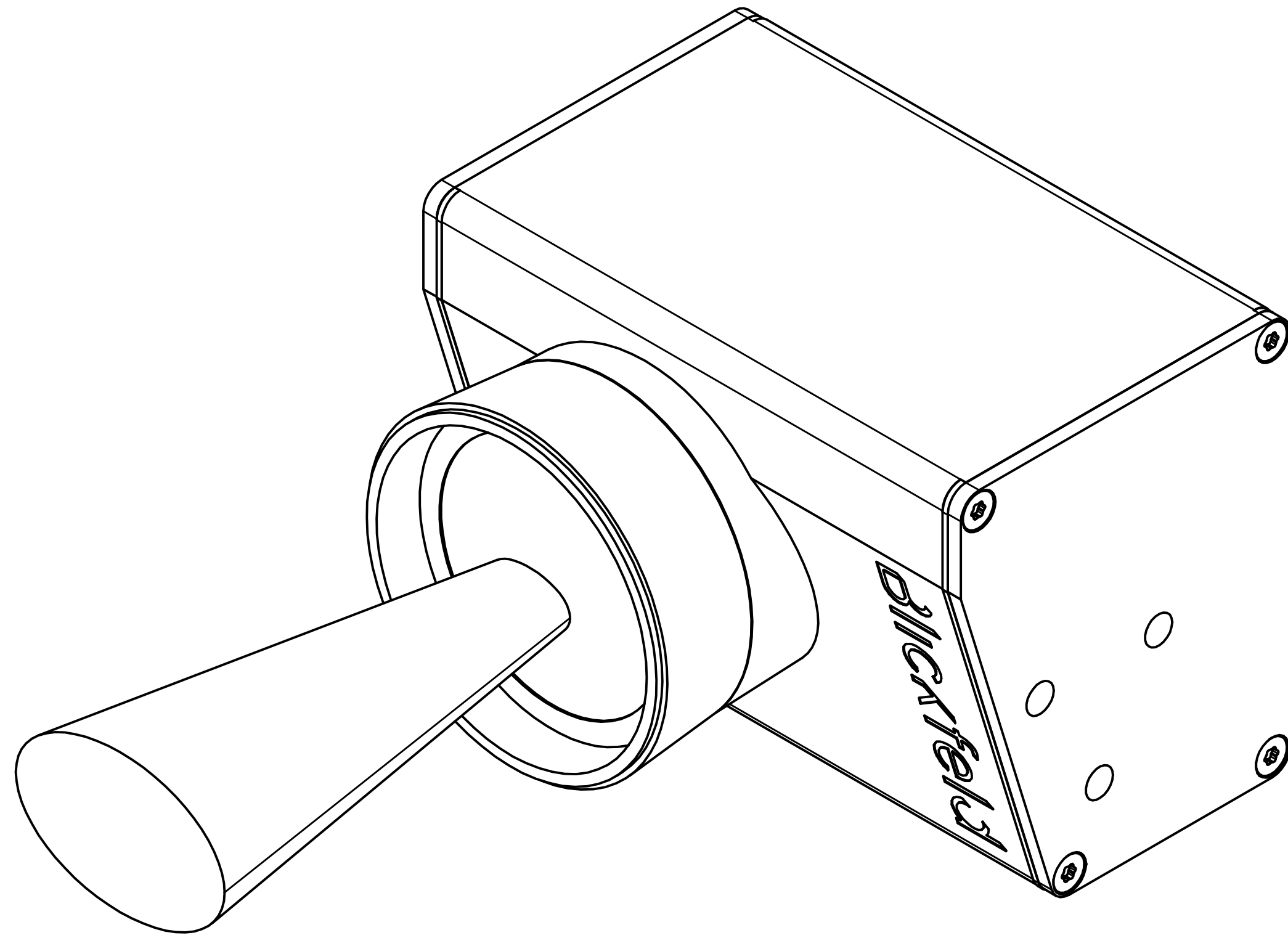
flexible curve slit for setting angular range



All dimensions in mm


2020-12-14	Blickfeld LIDAR / scan your world	
Cube Range 1 - Mounting Solution		
DWG-CR-MNT-1.0.0-A	Cube Range 1	Sht 1

8 | 7 | 6 | 5 | 4 | 3 | 2 | 1



Note: The field of view illustration is exemplary.

All dimensions in mm

2020-12-14	 <small>LIDAR / scan your world</small>	
Cube Range 1-Field of View		
DWG-CR-FOV-1.0.0-A	Cube Range 1	Sht 1